

TR/11-S

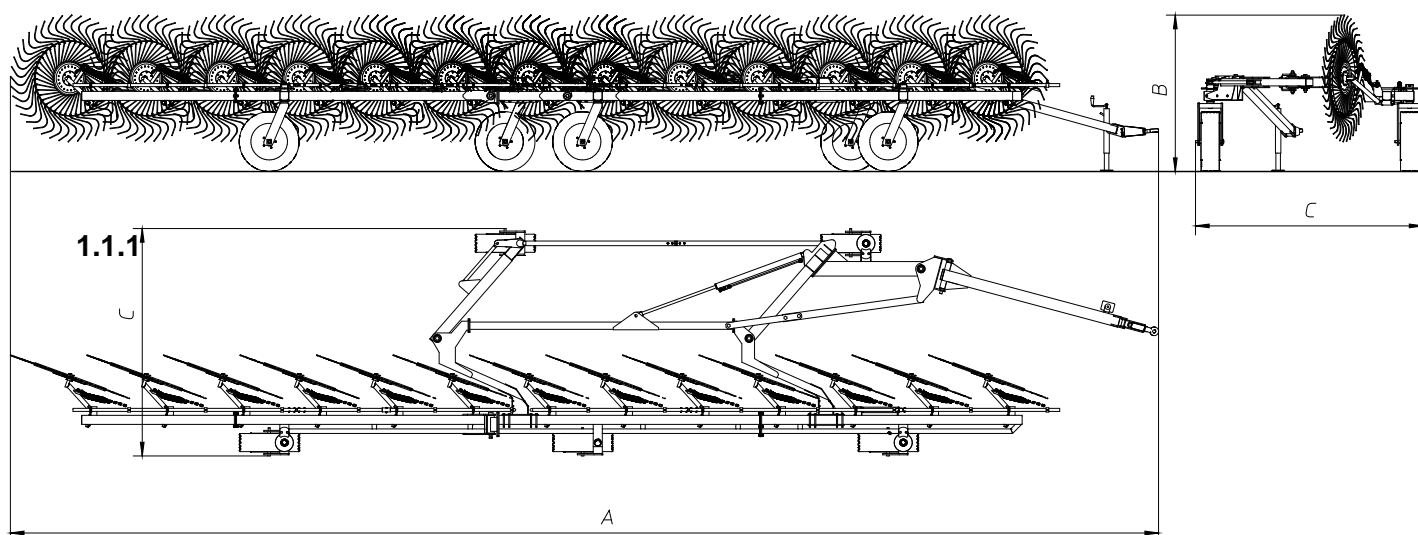
TR/13-S



Sitrex TR/11-13 S Hay Rake is technically designed to provide a fast and careful raking, while it handles hay gentler than any other ordinary parallel bar rakes. Among its main features, along with gentle handling of hay, TR is particularly suitable for rough soils and it is more useful for low crops and for wide windrows at higher speed. The independent spring loaded wheels follow the contours of the ground independently one from the other and from the frame.



TECHNICAL DATA



MODELS	TR/11 - S	TR/13 - S
Weight	1350 Kg / 2977 lb	1450 Kg / 3197 lb
Overall length (A)	10,3 m / 33'8"	12,8 m / 42'
Transport height (B)	1,750 m / 68,9"	1,750 m / 68,9"
Transport width (C)	2,48 m / 97,6"	2,48 m / 97,6"
Number of wheels	11	13
Number of tines on each wheel	40	40
Wheel diam.	1,4 m. / 55"	1,4 m. / 55"
Raking working width	6,5 m. / 21' 3"	7,5 m. / 24' 7"
Working speed	22 kmh / 14 mph	22 kmh / 14 mph
HP required min	35 HP / 26 kW	35 HP / 26 kW